

PUSH PULL RJ45 MALE 90° PROFINET

PROFINET

Male 90°

RJ45, 4-pole

IDC terminals

Connection cross section: 0.14...0.34 mm²

Push Pull

Plastic housings with good resistance against chemicals and oils.

The resistance to aggressive media should be individually tested for your application. Further details on request.

[Link to Product](#)**Illustration**

Product may differ from Image

Approvals**More Info****Form**

Form 74061

General data

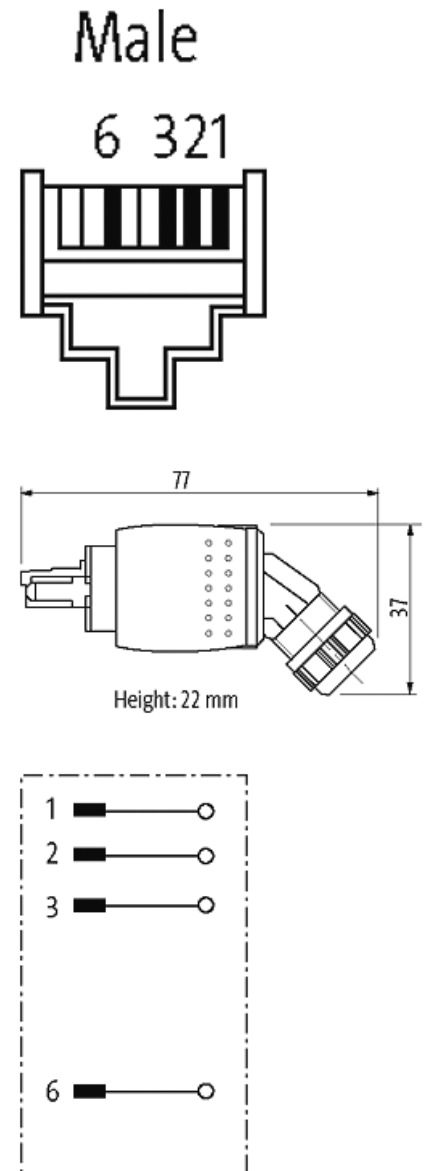
Temperature range -40...+70 °C

Technical Data

Operating voltage	max. 60 V DC
Operating current per contact	max. 2 A
Connection cross section	0.14...0.34 mm ² (AWG 26...22)
Sealing range (cable Ø)	6.5...9.5 mm
Transfer parameters	CAT5, Class D (ISO/IEC 11801:2002), (EN 50173-1)
Transfer rate	up to 100 Mbit/s full duplex
Protection	IP65 and IP67 when plugged and screwed down (EN 60529)

Commercial data

country of origin	RO
customs tariff number	85366990
EAN	4048879363389
eClass	27279221
Packaging unit	1

Sketch

Product may differ from Image